

# F37 FILTER REGULATOR

Installation, Operation and Maintenance Instructions

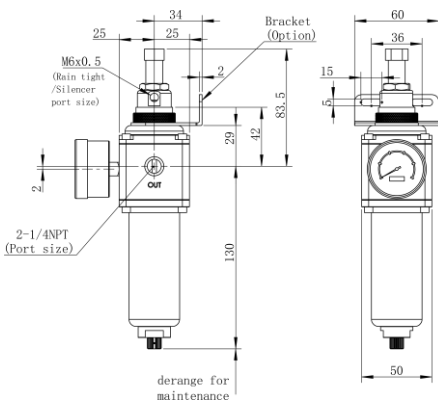


Figure 1. Model F33 Outline Dimensions

## 1. INSTALLATION

Mount the option bracket to the filter regulator as shown in the picture. Assemble so that the rotation stopper of the filter regulator and the bracket are engaged properly.

Clean all pipelines to remove dirt and scale before installation.

Apply a minimum amount of pipe compound to the male threads of the fitting only. Start with the third thread back and work away from the end of the fitting to avoid contaminating the regulator. Install the regulator in the air line.

The Inlet and Outlet ports are labeled "In" and "Out". Tighten all connections securely. Avoid undersized fittings that limit the flow through the regulator. For more information, see Figure 1

NOTE: Oil free air must be applied to the regulator. If an air line lubricator is used, it MUST be located downstream of the regulator to avoid interference with performance.

## 2. OPERATION

The Model F37 has an Adjustment Handle that controls output pressure. To increase pressure, turn the Adjustment Handle clockwise. To decrease pressure, turn the Adjustment Handle counterclockwise.

For more information, see Figure 1.

The Model F37 has an Adjustment Handle that controls output pressure. To increase pressure, turn the Adjustment Handle clockwise. To decrease pressure, turn the Adjustment Handle counterclockwise.

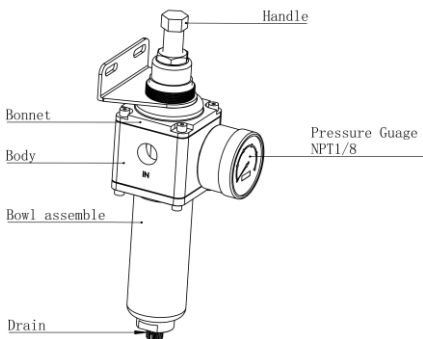
For more information, see Figure 1.

## 3. MAINTENANCE

To remove entrained liquids from the Bowl, pull the Drain Plug on the bottom of the Bowl Assembly. The flow through the regulator and the amount of en-trained oil or water in the air determine how often you should empty the Bowl.

For more information, see Figure 2.

Figure 2. Model F33 Exploded Drawing



**NOTE:**

If the standard maintenance procedure does not correct the problem, install the service kit.

**Standard**

•F37

**Pressure Ranges**

•0 - 145 psig



For further information visit [www.primoflo.com/uk](http://www.primoflo.com/uk)

While this information is presented in good faith and believed to be accurate, PRIMOFLO does not guarantee satisfactory results from reliance on such information. Nothing contained herein is to be construed as a warranty or guarantee, expressed or implied, regarding the performance, merchantability, fitness or any other matter with respect to the products, nor as a recommendation to use any product or process in conflict with any patent. PRIMOFLO reserves the right, without notice, to alter or improve the designs or specifications of the products described herein.

PRIMOFLO does not assume responsibility of the selection, use or maintenance of any product. Responsibility for proper selection, use, and maintenance of any product remains solely with the purchaser and end user.

If you require any other information or have queries, please contact PRIMOFLO.